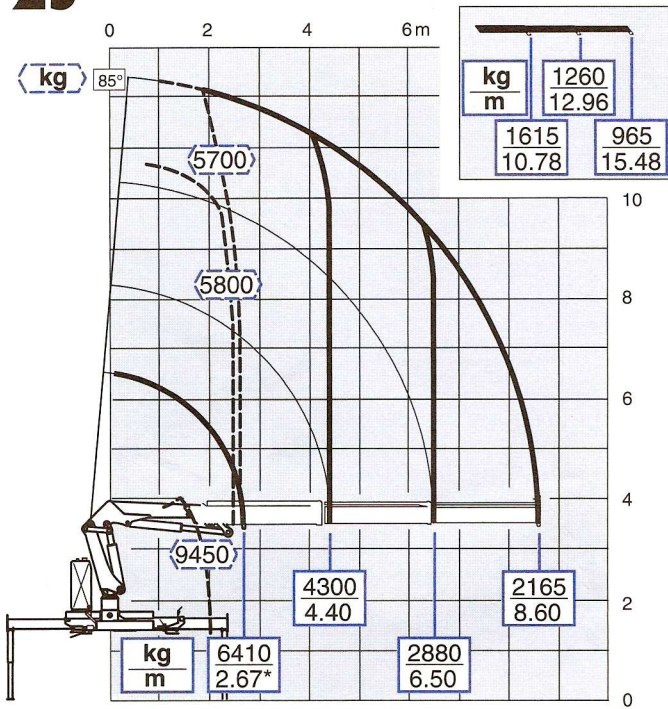


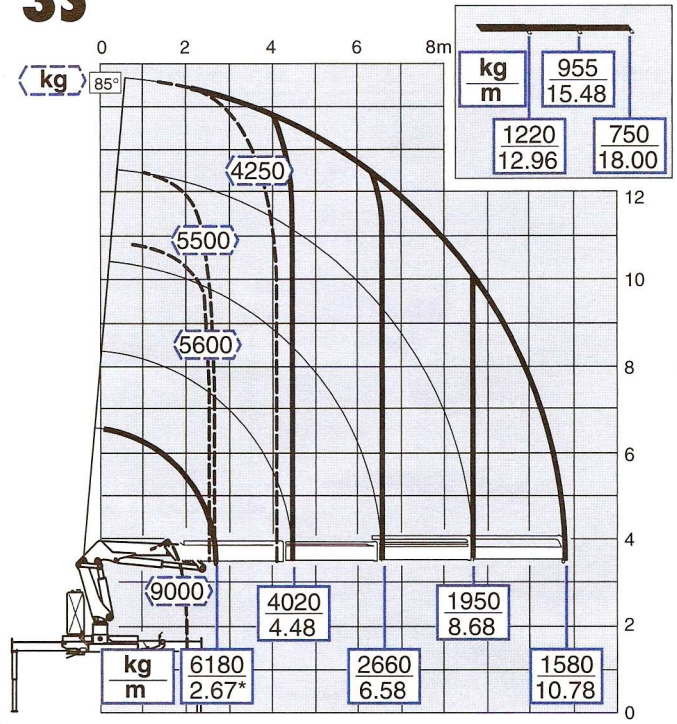
210

02.2E.060601.46.0

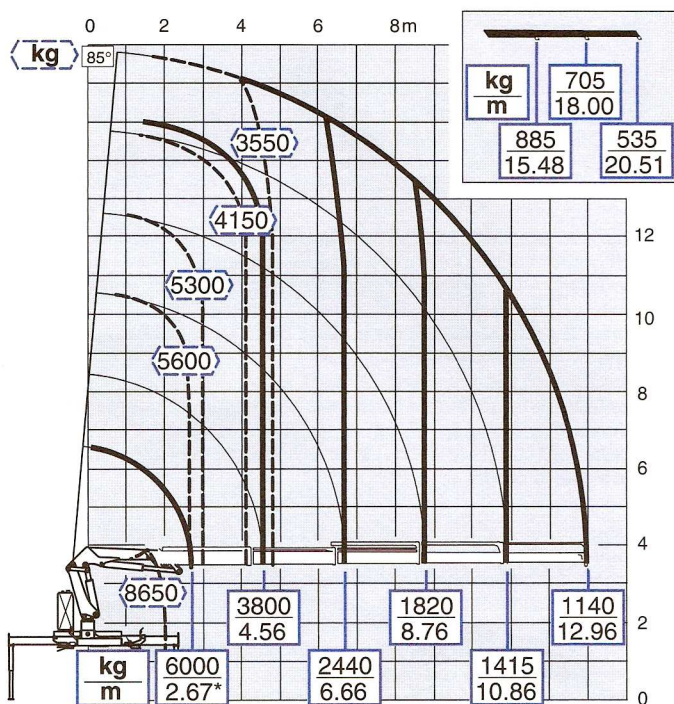
2S



3S



X 4S



5S

